

DREISILKER
ELECTRIC MOTORS, INC.

*Focused on Quality,
Reliability and Satisfaction*

MOTOR SERVICES

For the Printing and Converting Industries

New Motors



Motor Repair



Retrofits



NEW MOTORS *The Driving Force Behind Productivity*



We pride ourselves in our knowledge of IEC-metric frame motors found on European and Japanese printing and converting equipment. And, for the ever-present safety concerns, Dreisilker can provide spring-set brakes for both AC and DC motors.

Whether you are looking for an exact replacement or something comparable to your current motor, our service representatives will assist you with your needs.

The purchase of a new motor is not always an easy decision. Dreisilker Electric Motors, Inc. can eliminate the concerns often associated with such expenditures.

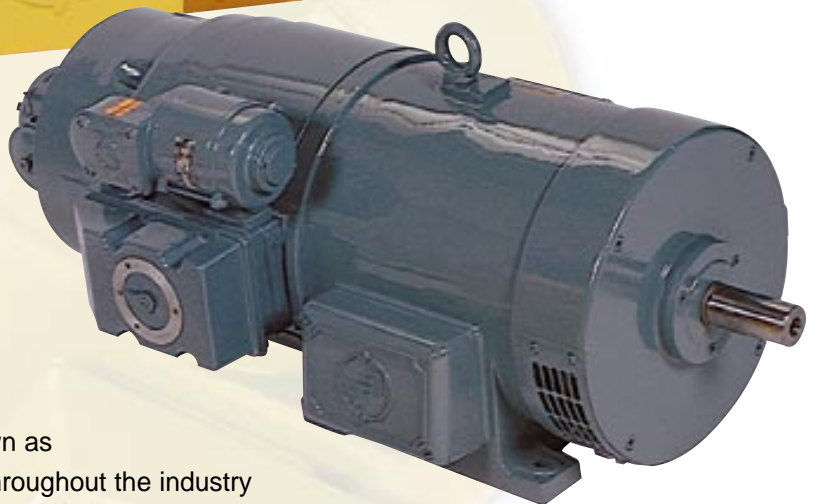
Our factory contacts with motor manufacturers around the world enable us to quickly and accurately quote on the majority of motors available in your industry.



***Dreisilker Electric Motors, Inc. —
Your choice for new motors.***

Whether it is for a main drive motor or an accessory motor, Dreisilker can assist your every need. New AC and DC main drive motors are regularly kept in stock at our facility.

Dreisilker is the only authorized sales representative in the United States for Antriebstechnik GmbH Faurndau, formerly known as Elektra-Faurndau. Faurndau's name is known throughout the industry as the force driving many KBA Planeta presses. Bobst, Jagenberg, W&D and others have also seen Faurndau power their machines.



**Quality Built on
Decades of Experience.**

MOTOR REPAIR



Motors from Heidelberg, KBA Planeta, Komori, Jagenberg, W&D and Bobst machines are regularly seen on the repair tables of our facility. Dreisilker is also the only authorized service representative in the United States for the German-based Antriebstechnik GmbH Faurndau, formerly known as Elektra-Faurndau, whose motors are commonly seen on KBA Planeta presses.

Our superior repair methods, coupled with our extensive files of manufacturers' winding and technical data, put us more than one step ahead of the rest.

Dreisilker's extensive stock of motor parts enhances the quick turnaround required by customers. Brushes, brush holders, cable sets and slip ring assemblies are just a few of the factory parts and products kept on our shelves every day of the year.

And, for those emergency breakdown situations, our inventory of loaner motors gets production running again faster than ever imagined.

Our quick access to Chicago's O'Hare International Airport enables us to ship and receive motors and products effectively to and from anywhere in the world.

***Dreisilker Electric Motors, Inc. —
Your next call for electric motor repair.***

Dreisilker Electric Motors, Inc. understands the pressures of the time sensitive printing and converting industries. We know through on-going communication between our customers and Dreisilker's team of service representatives and technicians, machine downtime can be kept to an absolute minimum.

Dreisilker has mastered the repair of motors for the printing and converting industries. Daily, more and more companies throughout North America are realizing that Dreisilker is the organization to call for their electric motor repair.

We pride ourselves in returning main drive motors, feeder-pile brake motors, dampening motors, and other accessory motors back to their original (and often better than original) condition.



RETROFITS

Balancing Productivity, Reliability & Economy

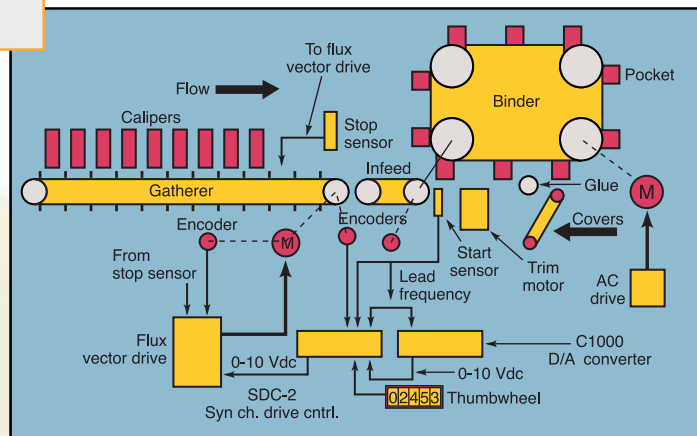


Our staff has already developed retrofits for fountain/dampener system motors and controls, main drive motors and controls, pile hoist systems and a host of ancillary systems. Dreisilker's name is currently found on presses, die cutters, bindery equipment, dust collectors, chip conveying systems and building equipment.

We understand the competitive and time-sensitive nature of the printing and converting businesses. With that in mind, we will work to balance your production needs in a package that will always include highly reliable service.

Dreisilker Electric Motors' experienced field staff is ready to assist you when your production equipment requires modification. Whether you are seeking improved production, or need to replace obsolete systems with today's enhanced technology, Dreisilker can assist you.

We have the proven abilities to assemble, install and service carefully designed retrofit solutions to customer's individual needs. This process is undertaken with the goal of maintaining the original integrity and operator controls of the machine while not compromising safety.



Schematic of bindery operations with flux vector drive.

Regardless of your motor needs, a call to Dreisilker Electric Motors' customer service department will begin the process of exploring solutions to your retrofit needs.

DREISILKER

ELECTRIC MOTORS, INC.

352 Roosevelt Road, Glen Ellyn, IL 60137 U.S.A.

Phone: (630) 469-7510 Outside Illinois: 800-922-1882

Fax: (630) 469-0155

emotorstore.com

email: dreisilker@dreisilker.com



"The quality systems of the Glen Ellyn facility have been Registered by UL to the ISO 9002 Series Standards."